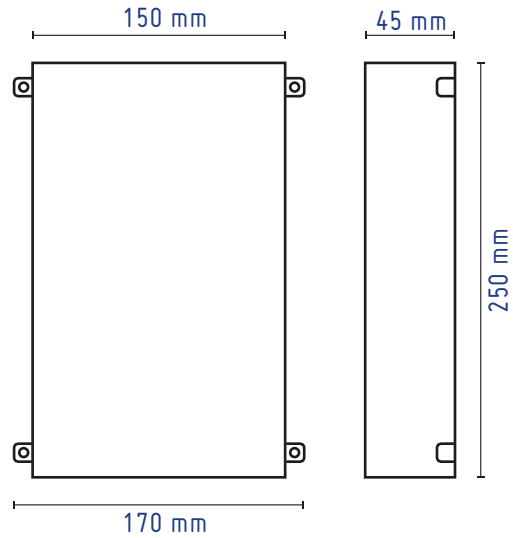


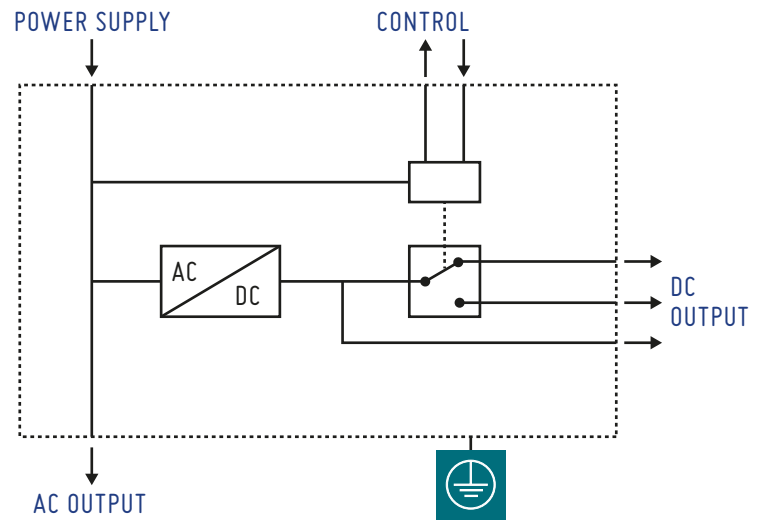
## DIMENSIONS



## SPECIFICATIONS

<b>POWER SUPPLY</b>	200-240V <sub>AC</sub> (EU Version) 100-120V <sub>AC</sub> (US Version)
<b>AC OUTPUT</b>	200-240V <sub>AC</sub> / 10A (EU Version) 100-120V <sub>AC</sub> / 10A (US Version)
<b>DC OUTPUT</b>	12V <sub>DC</sub> / 8,5 A
<b>NOMINAL CURRENT</b>	10A
<b>FREQUENCY RANGE</b>	47 - 63Hz
<b>IP</b>	20
<b>IK</b>	04
<b>STANDARDS</b>	IEC61439-1 IEC61439-3
<b>OPERATING TEMPERATURE</b>	-10 - 45°C (14 - 113°F)
<b>STORAGE TEMPERATURE</b>	-20 - 65°C (-4 - 149°F)
<b>OPERATING HUMIDITY</b>	20 - 90% RH (non-condensing)
<b>STORAGE HUMIDITY</b>	0 - 95% RH (non-condensing)

## BLOCK DIAGRAM



**WORKTRONIK**  
Engenharia e Sistemas

DATASHEET

# EL\_BOX\_KHARA

Version 1.xx



WWW.WORKTRONIK.COM



GERAL@WORKTRONIK.COM